

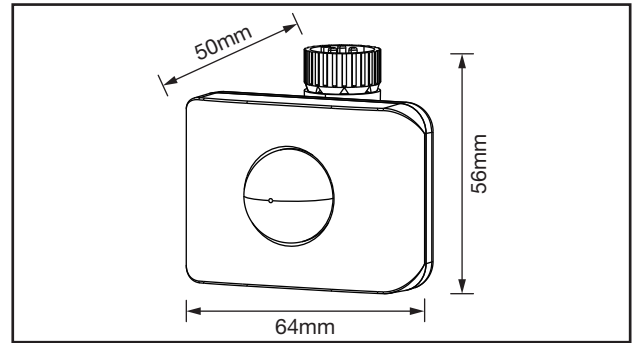
AFL/PIR/BK

Carbon Black IP65 PIR Sensor With Q-Nex Plug & Play Technology



PRODUCT FEATURES

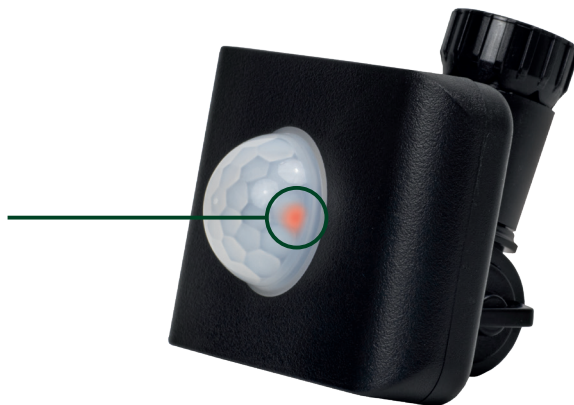
- Featuring Q-Nex Plug & Play Technology
- IP65 Rated Plug & Play PIR
- Up to 10m Detection Range
- To Be Used With Compatible Products
- Easily & Fully Programmable
- Manual Override Function With Indicator



TECHNICAL SPECIFICATIONS

Product Code	AFL/PIR/BK
Operating Voltage	220 - 240V AC
Max Output Power	100W
Output Current (Max)	0.43A
No Load Power (W)	<0.5
Class	II
Body Material	ABS
Frame Colour	Carbon Black
Ingress Protection	IP65
Ambient Operating Temperature (°C)	-20°C ~ +40°C
Input Frequency (Hz)	50/60Hz
Guarantee	3 Years
Detection Angle	120°
Ambient Light (Lux)	10-2000
Time Range	10 Seconds - 7 Min
Detection Range	2m - 10m

Featuring Manual Override Indicator



*Sold Separately